



Safespace Design Pack - Schools

Safespaces have proved invaluable in special & mainstream schools all over the country. Safespaces can help where there is a demand on space & a wide range of needs amongst students. A Safespace can be made to measure to fit a small classroom or placed in the corner of a larger classroom or hall. We offer a **Standard 2m x 2m Safespace** in light blue with a dark blue floor. We also offer a **Customised Safespace** with additional options. Please ask if you would like details

STANDARD SAFESPACE OPTION

If you would like to order our **Standard Safespace 2m x 2m Safespace** you will need a minimum floor area of 2.5m x 2.5m plus 2.25m clearance height floor to ceiling or (ceiling light). Our Standard Safespace design comprises:

- Internal dimensions 2m x 2m.
- 1 standard door with porthole & external zip pullers
- 1 (non-zip) window on any wall
- Water resistant floor seams
- Complete colour options including the option of one white wall for projection

If you would like a **quote** please complete:

- a) Safespace Design Pack - Schools
- b) Colour options
- c) Safespace Plan - This plan will help us to plan the position of the Safespace door and windows.
- d) Accessories (if required)

Please post, fax or email the completed form to Safespaces – contact details below. If you have any questions when completing the room plan, please contact us as we are happy to assist.

Safespaces (Cornholme) Ltd
361 Burnley Road
Todmorden
Lancs
OL14 7DH
Tell/fax +44 (0)1706 816274
Email enquiries@safespaces.co.uk

Contact Details and Safespace Options

Details of person requesting quote	
Name	Job title/Role
Address	
Phone	Email
Mobile No	Fax

Details of school where Safespace will be installed	
Contact:	Tel:
School name & address (location of Safespace)	
How do you intend to use the Safespace? e.g. for one to one work, as a nurture or sensory space?	

Safespace options (see options sheet for details)	Please tick
Standard single mattress with PVC cover (183cm x 91cm x 20cm)	
White wall (for projecting onto) FREE	
Removable window blinds	
Water resistant floor seams standard (option 1)	
Water resistant floor seams up to a height of 91cm (option 2)	
Water resistant floor seams up to a height of 2 metres (option 3)	
Visual deterrent panels	
Sensory equipment (please say which)	

Complete this section if you require Visual deterrent panels fitted.

The wall construction is made of: solid/timber partition /don't know/ other - please tell us:

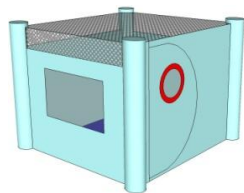
The Safespace may need to be fixed to the floor with brackets. Please tell us what the floor construction is made of: suspended timber/concrete/don't know/other -please say:

Is there under floor heating in the room where the Safespace will be sited? YES/NO

Clearance Please say here whether anything (radiators, boxing ceiling light) may **protrude into the 25cm gap around or above** the Safespace or tick relevant box below:

I confirm that the Safespace will have: <ul style="list-style-type: none"> an overall clear floor area of 2.5m x 2.5m 2.25m clear height from floor to ceiling (or ceiling light). 	(please tick)
Signature:	Date

2M X 2M STANDARD DESIGN OPTION



Non-zip Window Our standard non-zip window made of clear PVC provides a viewing panel to enable the user to see what's going on in the classroom, or for observation/supervision.

Standard single door with porthole This feature can help to provide a low stimulation environment but retain the opportunity for supervision/observation.



White Wall (for projecting onto) A white wall is an excellent background on which to project images when the Safespace is being used as a sensory environment. We also supply projector kits as an accessory.

Soft Foam Sub Floor

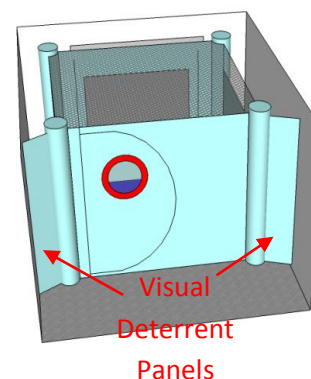
All safespaces come with a 7.5cm soft foam sub floor which is suitable for pupils to sit or lie on. A mattress can also be provided. See additional options below.

Waterproofing

Safespaces in schools are provided with standard waterproofing to any seams in the body of the floor. See above for additional waterproofing options.

ACCESSORIES



Visual Deterrent Panels. A 25cm space is required around the Safespace in order to allow the PVC walls to flex out. This creates a gap around the Safespace which a user could try to slip into, and which may be too small for adults to follow. Visual deterrent panels conceal this gap and are recommended for those who have the ability & the inclination to enter the gaps around the Safespace. However they are not a substitute for supervision. The panels are usually made from the same colour PVC as your Safespace. They extend from the corners of the Safespace and are fixed to the wall of the room with a wooden batten. They are designed as a visual deterrent and are only as strong as the fixings.



Soft Play Shapes. Our soft play shapes are made to order, and can include slides, cubes, wedges and cylinders in a range of sizes. They are made of the same robust, quality materials as all of our equipment. They are ideal for those with difficulties with balance. The cylinder can be used to self-administer deep pressure.



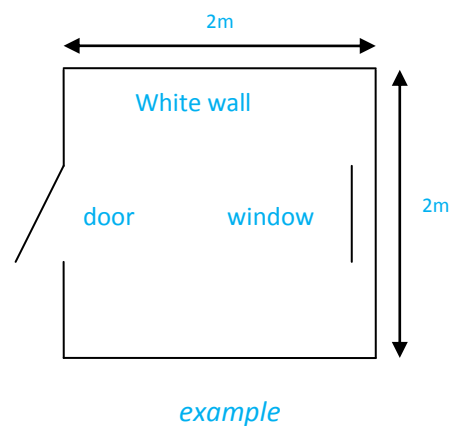
No &
Shape

OUR SENSORY EQUIPMENT OFFERS A RANGE OF COLOUR & PICTURE OPTIONS	No
<p>Solar 100 Projector Set:</p> <ul style="list-style-type: none"> • Solar 100 LED projector • ½ RPM Wheelsafe rotator • 1 liquid wheel • 1 picture wheel 	
<p>Fibre Optics Kit</p> <ul style="list-style-type: none"> • Super bright light source • 100 strand x 200cm78” Sideglow Strands (phthalate free) • Colour Wheel 	

Safespace Plan

In the space below please draw where you want the door & window on the **Safespace**. If you would like a white wall please show where you want it. Add any notes here.

[Standard Safespace Plan](#)





These are our standard colours. When choosing colours, please consider how calm or lively an environment you wish to create. If there is a particular colour you require please contact us to discuss. The colours below may not be an exact representation so please check our website. Please choose colours for wall, floor, mattress & external corner from selection below

WALL COLOUR: _____

FLOOR COLOUR: _____

EXTERNAL CORNER COLOUR: _____

MATTRESS COLOUR: _____

